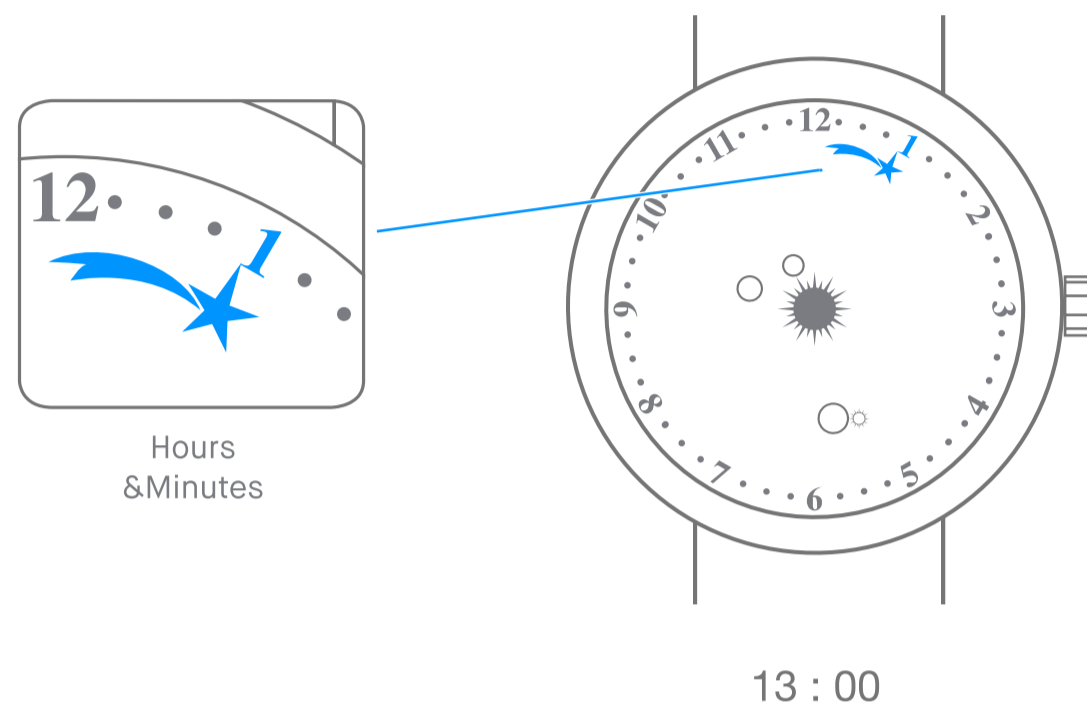


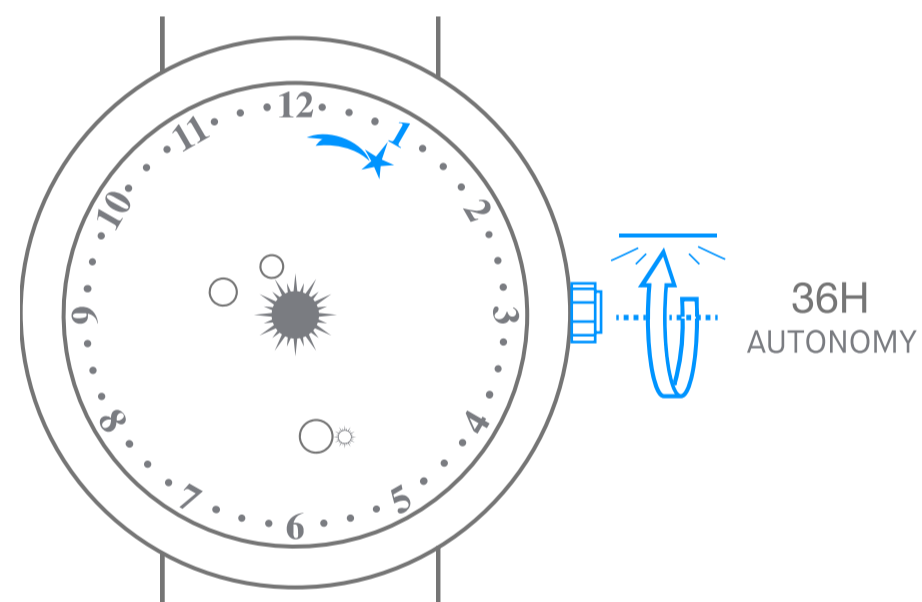
Van Cleef & Arpels

Self-winding planetarium movement Lady Arpels Planétarium

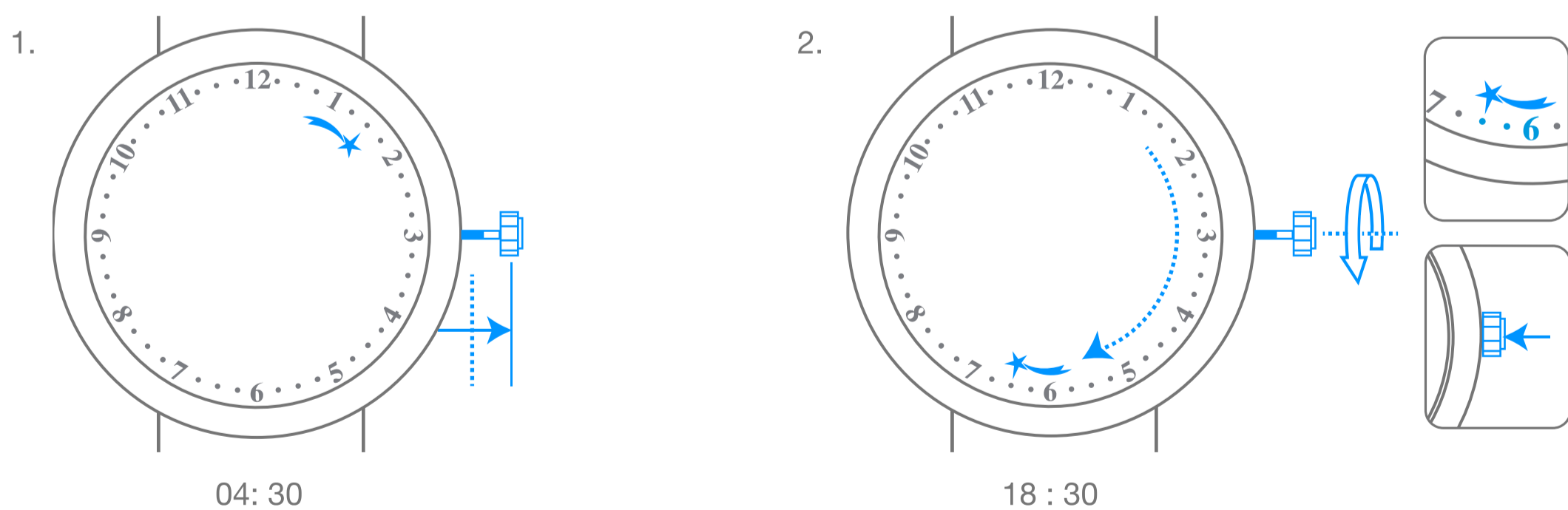
I. Read the time



2. Wind the watch



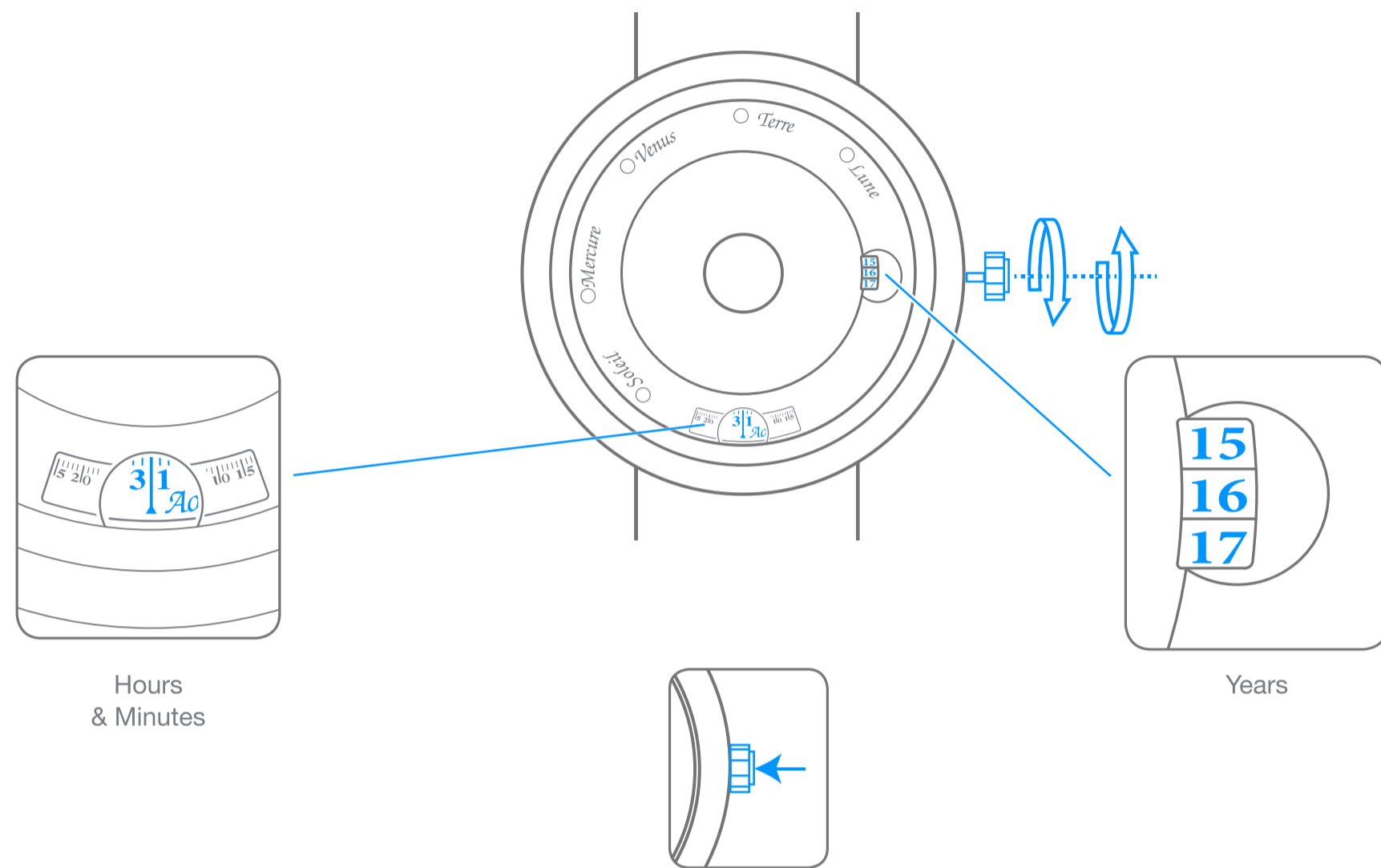
3. Set the time



Van Cleef & Arpels

Self-winding planetarium movement Lady Arpels Planétarium

4. Set the date



Van Cleef & Arpels

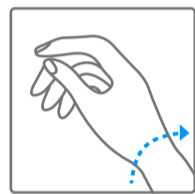
Pictograms

00h
AUTONOMY

Your watch's power reserve



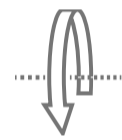
Important note: wait 30 seconds after winding the watch before setting the time



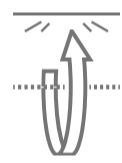
Self-winding through your wrist movement



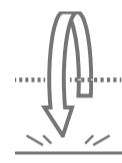
Turning clockwise



Turning counter-clockwise



Turning clockwise until you meet resistance



Turning counter-clockwise until you meet resistance



LOCAL TIME

Local time



2nd TIME ZONE

Time in selected country



High-pitched sound



Low-pitched sound